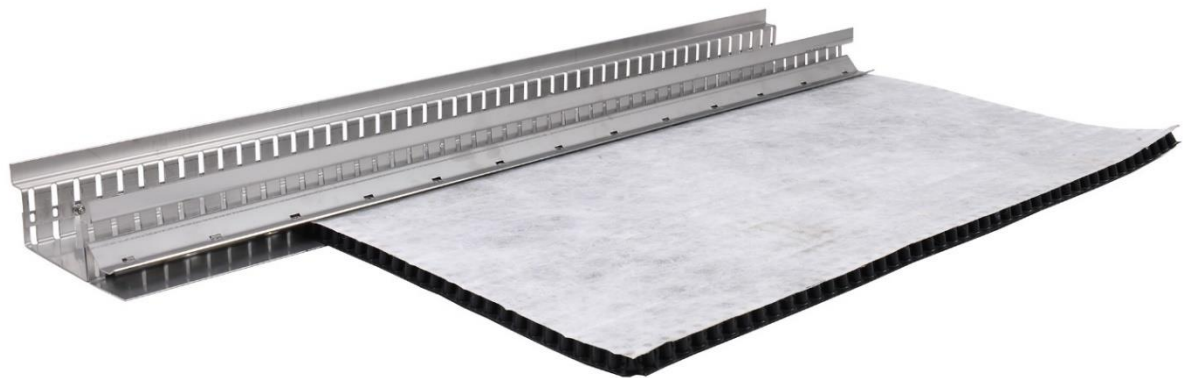




Technical data sheet

Drain mat adapter



Manufacturer

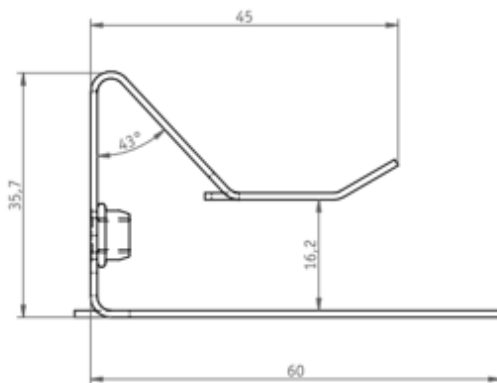
Richard Brink GmbH & Co KG
Metal goods manufacture and distribution
Görlitzer Str. 1
33758 Schloß Holte-Stukenbrock
Phone: 0049 (0)5207 9504-0
Fax: 0049 (0)5207 9504-20



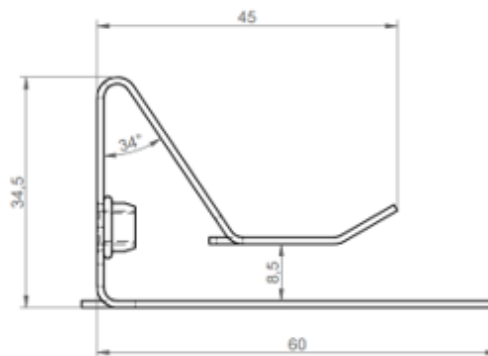
Product description

Our drainage mat adapter is the perfect addition to our 'Hydra' drainage channel. It attaches drainage mats directly to the channel body. The adapter is screwed to the outside of the channel and thus serves as a longitudinal fixing element. Drainage mats with a thickness between 8 and 16 mm are then simply pushed into the adapter and held seamlessly to the channel using small barbs. This allows the mat to be laid more easily, quickly and accurately as it is held in position by the adapter. In addition to preventing the mat from slipping, the accessory prevents pebbles, dirt or similar from falling in, thus ensuring the best possible drainage. The funnel shape of the adapter also contributes to this, which drains any precipitation to the drainage mat via holes that match the 'Hydra'.

Dimensions



Adapter for 16 mm drainage mats



Adapter for 8 mm drainage mats

The standard length is 1,000 mm in each case.

Materials used

We only use European materials from Germany, Sweden, France and Italy for our products.

Material specifications

Material: hot-dip galvanised steel and V2A

Material thickness: 1.0 mm each



Processing and care instructions

Care should always be taken when storing and processing drainage mat adapters.

Dust particles of other metals or general cutting of components with flying sparks on the product should generally be avoided, as the surfaces of all materials are very sensitive. If dust particles or soiling from other metals are present, these must be removed immediately using suitable, non-abrasive cleaning agents. A coating can be damaged by direct contact with splash water and/or salt water.

Further installation and usage instructions as well as information on the material can be found at: <https://www.richard-brink.de/en/downloads/overview.html>